

REVISIONS	BY

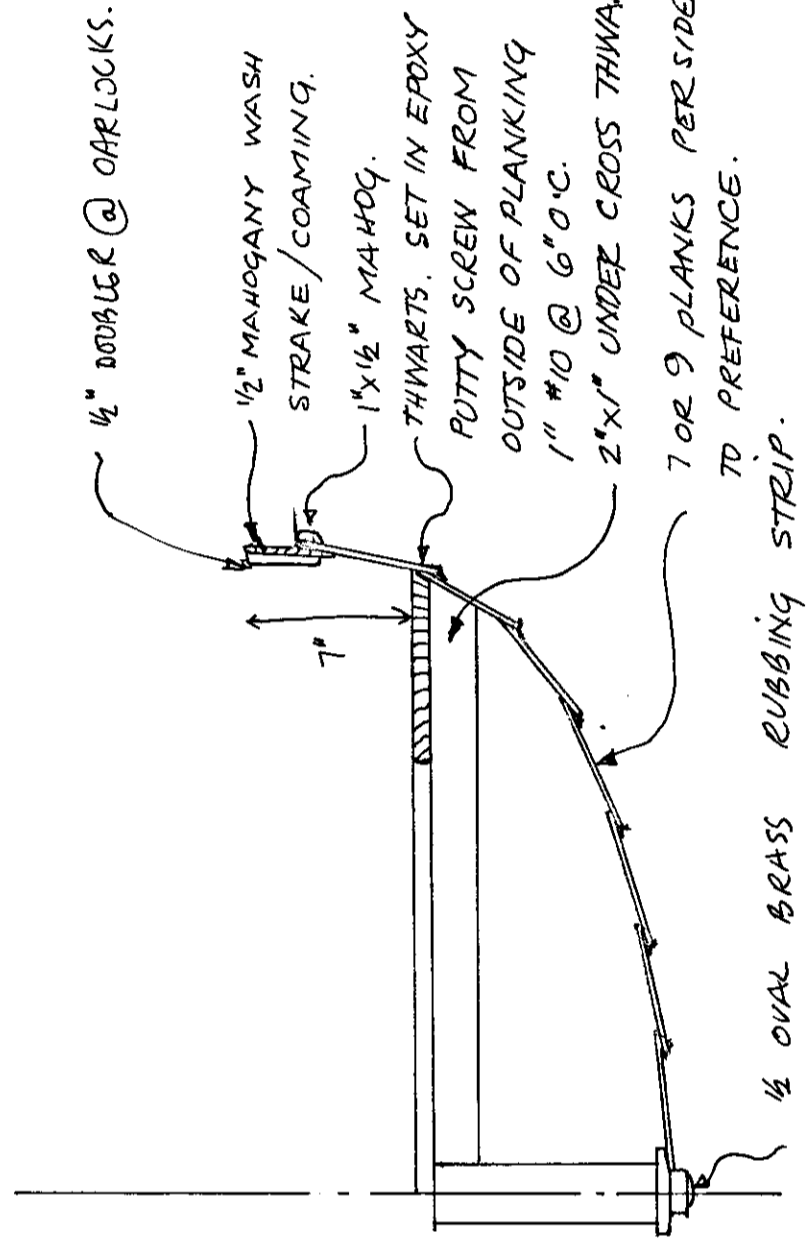
NOTE: COPYRIGHT REMAINS WITH DESIGNER
 COST OF PLANS COVERS CONSTRUCTION OF ONE VESSEL. FEE FOR BUILDING ADDITIONAL VESSELS TO BE AGREED WITH THE DESIGNER.

WEBB 14 ROWING AND SAILING DINGHY

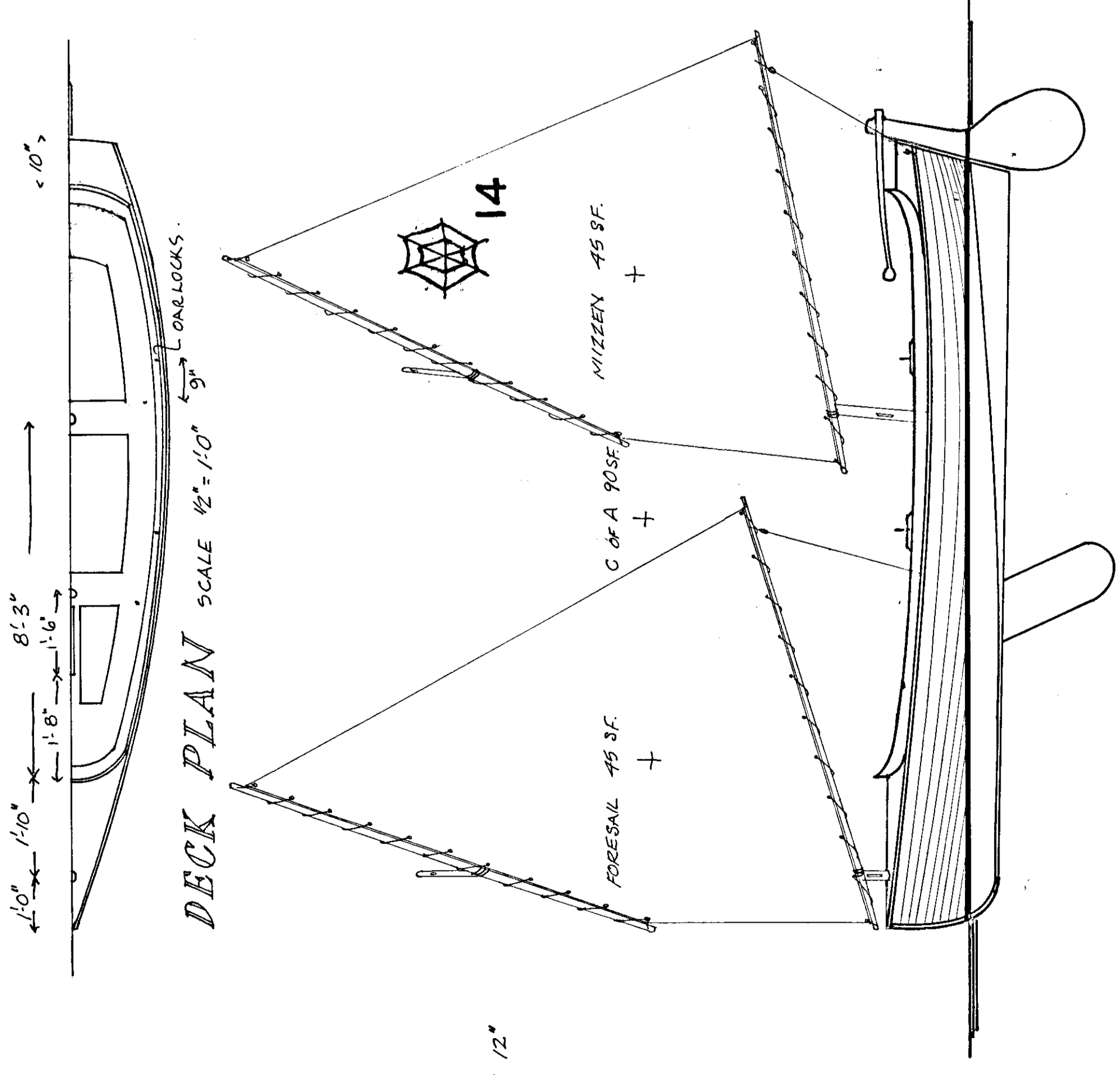
L.O.A. 14'-2" SAL AREA 90.5R FT.
 BEAM 4'-7" BALANCED LUGSAIL KETCH.
 HULL DEPTH 8" (MAX) DISPLACEMENT APPROX 200LBS FULLY RIGGED.
 DAGGER BOARD 2'-9" (MAX)

CONSTRUCTION:

1. KEEL: SAWY FROM 2"x8" (NOM) MAHOGANY
2. KEELSON: 1"x4" (NOM) DOUGLAS FIR OR MAHOGANY
3. STEM POST: SAWY FROM 2"x6" (NOM), MAHOGANY
4. TRANSOM: 1" (NOM) PLANKING STAINED AND GLUED TOGETHER, MAHOGANY
5. KNUES @ KEEL: 2" (NOM) MIN 8" ON EACH LEG, MAHOGANY
6. " @ QUARTERS: 1 1/4" (NOM) MIN 6" ON EACH LEG, MAHOGANY
7. PLANKING: 1/4" DOUGLAS FIR PLYWOOD (OR MAHOGANY IF PREFERRED) TOP STRAKE 3/8" FOR PLYWOOD (OR MAHOGANY IF PREFERRED)
8. ALL PLANKING JOINTS: GLUED AND CLENCH NAILED (EPOXY GLUE + 9/8" COPPER TRACKS)
9. FOKE DECK: 1" NOM MAHOGANY OR CEDAR, ALSO AFT DECK
10. THwarts: 1" NOM MAHOGANY OR CEDAR, ON 2"x1" OF RISERS
11. DAGGER BOARD CASE: 1" NOM CEDAR
12. DAGGER BOARD: 1/2" PLYWOOD OR 5/8" MAHOGANY
13. RUDDELS: 1/2" PLYWOOD WITH 1" NOM CEDAR CHEEKS, OR 5/8" MAHOG. AT ENDS.
14. MASTS: 2 1/2" @ BOOM AND SUPPORTS TAPER TO 1 1/4" @ TOP & STEPS.
15. BOOMS & GAFFS: 1 1/2" @ HALYARD OR DOWNHAUL TAPER TO 1 1/8" AT ENDS.
16. GUNWALES: 1"x 1/2" MAHOGANY TAPERED TO 3/4" @ BOY & STERN. 1/2" OVAL SECTION
17. WASH STRAKE: 1/2" NOM MAHOGANY (LAMINATE FROM 1/8" STRIPS AT TIGHT RADIUS SECTIONS FORE AND AFT)
18. SAILS: 3 oz TAN BACK DACRON, KOPED HEAD, LUFF & FOOT, LACED TO BOOM & GAFF W/ 1/8" LACING. LUFF 4'-0" HEAD 7'-8" FOOT 7'-8" LEACH 10'-1" AREA 95% SF PEAK TO TACK, 11% IMBUAT TO OUTHAUL. 7'-0" INSIGNIA, WHITE 8" HIGH. GAFF & BOOM TIED TO HALYARD + DOWNHAUL BY TOPSAIL HALYARD BEND. HALYARD RECEIVED THRU HOLE IN TOP OF MAST AND HAULED TIGHT. DOWNHAUL BELIEVED TO CLEANT ON MAST.
19. ADDITIONAL MAST STEP: 6'-0" FROM BOY TO ALLOW BALANCED SAILING UNDER ONE SAIL ONLY.
20. OARS: 2 PAIR 8'-6" LONG (OARS BOOM TO 7'-6" MAY BE USED IF PREFERRED.)

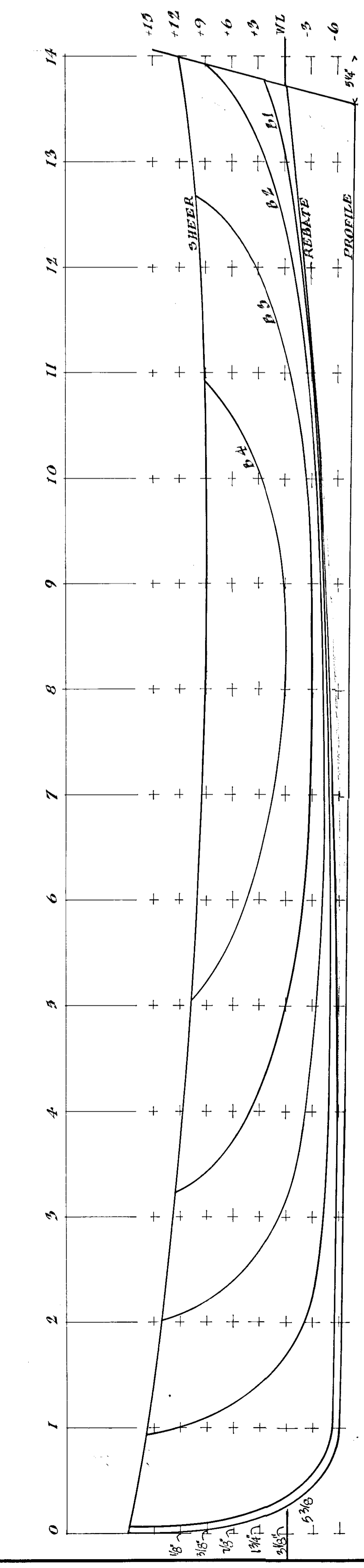


CONSTRUCTION SECTION SCALE 1/4" = 1'-0" (@ STATION 7)

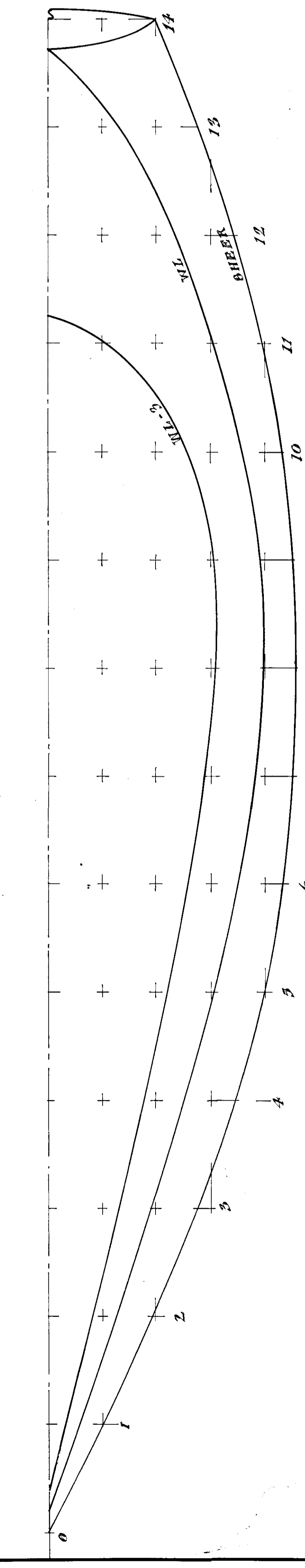


FOREMAST UPRIGHT
 MIZZEN BAKE AFT 12"

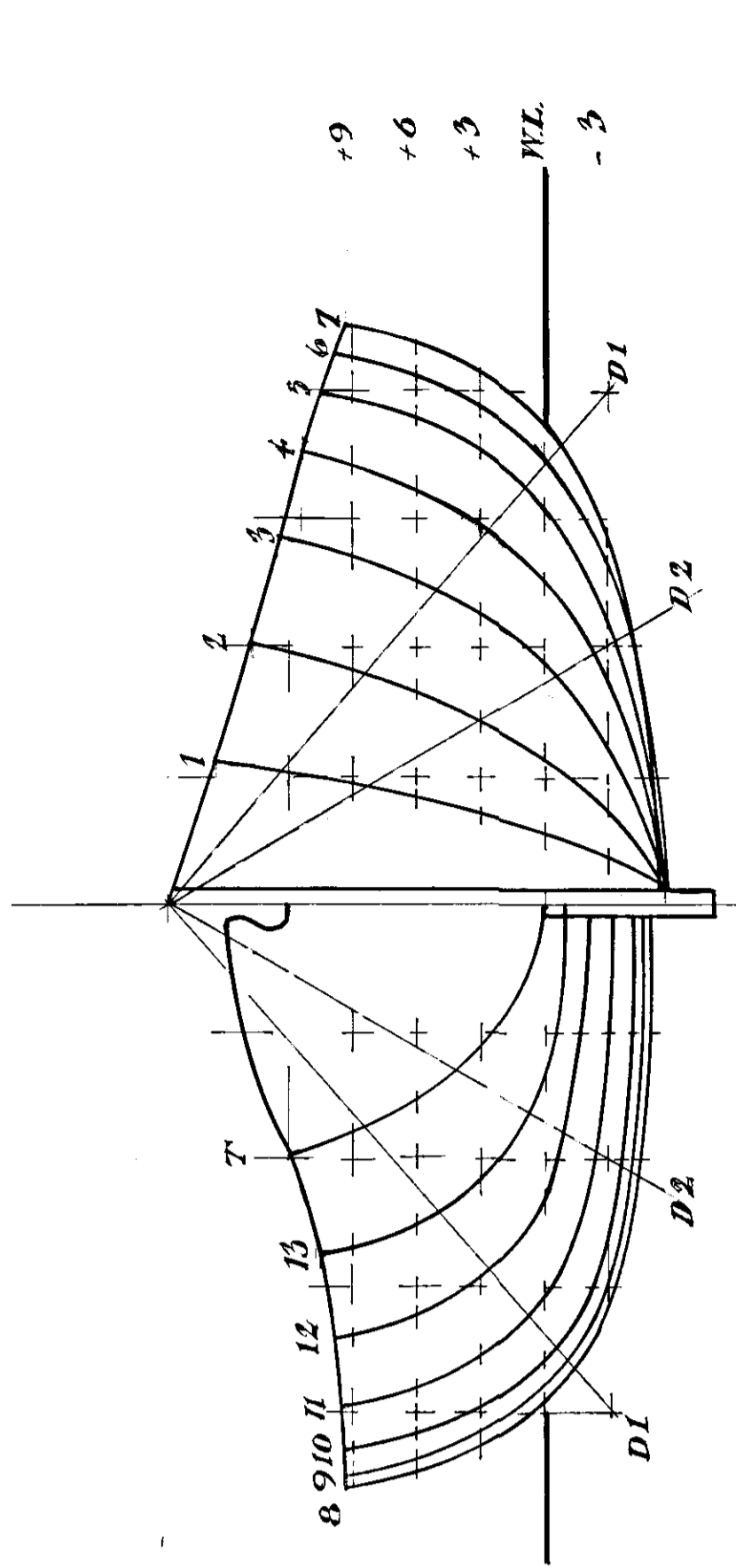
SAIL PLAN SCALE 1/2" = 1'-0"



PROFILE SCALE 1/2" = 1'-0"



LINES PLAN SCALE 1/2" = 1'-0"



Offsets to outside of planking in feet inches and eighths of an inch.

Stations 12 0.C.	0	1	2	3	4	5	6	7	8	9	10	11	12	13	14
Heights above/below WL															
Rebate (-)		0.53	0.54	0.55	0.56	0.56	0.55	0.52	0.47	0.43	0.33	0.21	0.10	0.00	
Shear (+)		1.57	1.21	1.07	0.96	0.87	0.80	0.95	0.92	0.90	0.92	0.95	0.95	1.00	
Profile (+)		0.63	0.64												
B1		1.07	0.81	0.42	0.20	0.52	0.53	0.52	0.51	0.47	0.40	0.31	0.20	0.03	0.22
B2															
B3															
B4															
Half Breadths															
Shear		0.60	0.14	1.45	1.87	1.16	2.17	2.30	2.34	2.31	2.17	1.11	1.05	1.46	1.00
W.L. - 3		0.25	0.53	0.80	0.86	1.10	1.33	1.53	1.65	1.63	1.34	0.65			
W.L.		0.59	0.73	0.41	1.27	1.62	1.87	1.11	1.17	1.94	1.63	1.21	0.77		
W.L. + 3		0.57	0.85	1.14	1.55	1.93	1.13	2.10	2.17	2.12	1.16	1.94	1.60	1.12	0.66
W.L. + 6		0.46	0.96	1.30	1.72	1.05	2.05	2.22	2.27	2.23	2.07	1.07	1.75	1.31	0.95
W.L. + 9		0.53	0.86	1.47	1.84	1.15	2.15	2.30	2.33	2.31	1.16	1.16	1.85	1.43	0.11
Deck top/s															
D1		0.84	1.33	1.75	1.42	2.27	2.35	2.45	2.51	2.45	2.37	2.17	1.07	1.73	1.17
D2		0.16	0.47	1.92	1.13	2.04	2.14	2.15	2.15	2.15	2.12	2.05	1.12	1.93	1.75